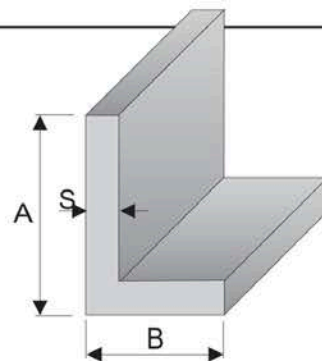
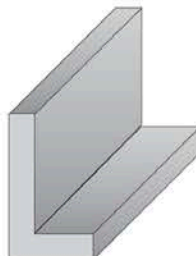
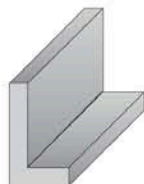


Aceros Inoxidables Deltametal, S.L.

Vía Augusta, 15, 703 / 08006 Barcelona / tel +34 93 2172396 / fax +34 93 2178739

WEB: <http://www.deltametal.es> / E-mail: delta@deltametal.es

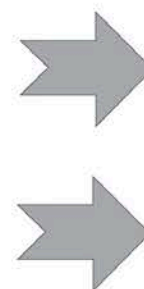
Ángulos lados desiguales



| A x B x S | kg/m | A x B x S | kg/m |
|-----------------|-------|-----------------|-------|
| L 10 x 5 x 2 | 0,070 | L 40 x 30 x 4 | 0,713 |
| L 15 x 10 x 2 | 0,124 | L 40 x 30 x 5 | 0,878 |
| L 16 x 8 x 2 | 0,119 | L 40 x 35 x 2 | 0,394 |
| L 20 x 10 x 1,5 | 0,115 | L 45 x 15 x 2 | 0,313 |
| L 20 x 10 x 2 | 0,151 | L 45 x 20 x 2 | 0,340 |
| L 20 x 15 x 2 | 0,178 | L 45 x 20 x 3 | 0,502 |
| L 20 x 15 x 3 | 0,259 | L 45 x 25 x 3 | 0,543 |
| L 25 x 10 x 2 | 0,178 | L 45 x 30 x 3 | 0,583 |
| L 25 x 15 x 1,5 | 0,156 | L 50 x 10 x 2 | 0,313 |
| L 25 x 15 x 2 | 0,205 | L 50 x 15 x 2 | 0,340 |
| L 25 x 15 x 3 | 0,300 | L 50 x 15 x 2,5 | 0,422 |
| L 25 x 20 x 1,5 | 0,176 | L 50 x 20 x 2 | 0,367 |
| L 25 x 20 x 2 | 0,232 | L 50 x 20 x 2,5 | 0,456 |
| L 25 x 20 x 2,5 | 0,287 | L 50 x 20 x 3 | 0,543 |
| L 25 x 20 x 3 | 0,340 | L 50 x 20 x 4 | 0,713 |
| L 30 x 10 x 2 | 0,205 | L 50 x 25 x 2 | 0,394 |
| L 30 x 15 x 1,5 | 0,176 | L 50 x 25 x 2,5 | 0,489 |
| L 30 x 15 x 2 | 0,232 | L 50 x 25 x 3 | 0,489 |
| L 30 x 15 x 3 | 0,340 | L 50 x 25 x 4 | 0,767 |
| L 30 x 20 x 1 | 0,132 | L 50 x 25 x 5 | 0,945 |
| L 30 x 20 x 1,5 | 0,196 | L 50 x 30 x 2 | 0,421 |
| L 30 x 20 x 2 | 0,259 | L 50 x 30 x 3 | 0,624 |
| L 30 x 20 x 2,5 | 0,321 | L 50 x 30 x 4 | 0,821 |
| L 30 x 20 x 3 | 0,381 | L 50 x 30 x 5 | 1,013 |
| L 30 x 20 x 4 | 0,497 | L 50 x 35 x 4 | 0,875 |
| L 30 x 25 x 2 | 0,286 | L 50 x 40 x 2 | 0,475 |
| L 30 x 25 x 3 | 0,421 | L 50 x 40 x 3 | 0,705 |
| L 35 x 10 x 2 | 0,232 | L 50 x 40 x 4 | 0,929 |
| L 35 x 15 x 2 | 0,259 | L 50 x 40 x 5 | 1,148 |
| L 35 x 20 x 2 | 0,286 | L 60 x 10 x 2 | 0,367 |
| L 35 x 20 x 3 | 0,421 | L 60 x 15 x 2 | 0,394 |
| L 35 x 25 x 2 | 0,313 | L 60 x 20 x 2 | 0,421 |
| L 35 x 25 x 3 | 0,462 | L 60 x 20 x 2,5 | 0,523 |
| L 40 x 10 x 2 | 0,259 | L 60 x 20 x 3 | 0,624 |
| L 40 x 15 x 2 | 0,286 | L 60 x 25 x 2 | 0,448 |
| L 40 x 20 x 2 | 0,313 | L 60 x 25 x 2,5 | 0,557 |
| L 40 x 20 x 2,5 | 0,388 | L 60 x 25 x 3 | 0,664 |
| L 40 x 20 x 3 | 0,462 | L 60 x 30 x 2 | 0,475 |
| L 40 x 20 x 4 | 0,605 | L 60 x 30 x 3 | 0,705 |
| L 40 x 20 x 5 | 0,743 | L 60 x 30 x 4 | 0,929 |
| L 40 x 25 x 2 | 0,340 | L 60 x 30 x 5 | 1,148 |
| L 40 x 25 x 2,5 | 0,422 | L 60 x 30 x 6 | 1,361 |
| L 40 x 25 x 3 | 0,502 | L 60 x 40 x 2 | 0,529 |
| L 40 x 25 x 4 | 0,659 | L 60 x 40 x 3 | 0,786 |
| L 40 x 30 x 2 | 0,367 | L 60 x 40 x 4 | 1,037 |
| L 40 x 30 x 3 | 0,543 | L 60 x 40 x 5 | 1,283 |

Aleación: EN AW-6060 T66 (AlMgSi 0,5 F22)

Longitud: 6000 mm

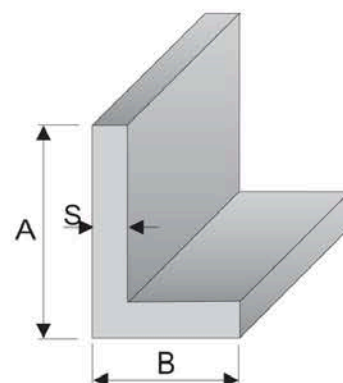
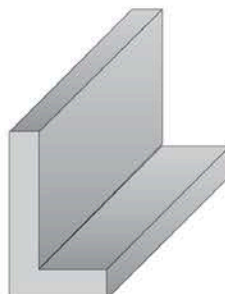
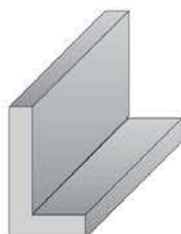


Aceros Inoxidables Deltametal, S.L.

Vía Augusta, 15, 703 / 08006 Barcelona / tel +34 93 2172396 / fax +34 93 2178739

WEB: <http://www.deltametal.es> / E-mail: delta@deltametal.es

Ángulos lados desiguales



| | A x | B x S | kg/m | | A x | B x S | kg/m |
|---|-------|----------|-------|---|-------|---------------|-------|
| L | 60 x | 40 x 6 | 1,523 | L | 100 x | 50 x 3 | 1,191 |
| L | 60 x | 50 x 2 | 0,583 | L | 100 x | 50 x 5 | 1,958 |
| L | 70 x | 15 x 2 | 0,448 | L | 100 x | 50 x 6 | 2,333 |
| L | 70 x | 20 x 2 | 0,475 | L | 100 x | 50 x 8 | 3,067 |
| L | 70 x | 25 x 2 | 0,502 | L | 100 x | 50 x 10 | 3,780 |
| L | 70 x | 25 x 2,5 | 0,624 | L | 100 x | 60 x 6 | 2,495 |
| L | 70 x | 30 x 2 | 0,529 | L | 100 x | 60 x 8 | 3,283 |
| L | 70 x | 30 x 3 | 0,786 | L | 100 x | 80 x 6 | 2,819 |
| L | 70 x | 30 x 5 | 1,283 | L | 100 x | 80 x 8 | 3,715 |
| L | 70 x | 40 x 2 | 0,583 | L | 110 x | 30 x 2 | 0,745 |
| L | 70 x | 40 x 4 | 1,145 | L | 120 x | 20 x 2 | 0,745 |
| L | 70 x | 50 x 3 | 0,948 | L | 120 x | 30 x 3 | 1,191 |
| L | 70 x | 50 x 5 | 1,553 | L | 120 x | 40 x 3 | 1,272 |
| L | 75 x | 50 x 5 | 1,620 | L | 120 x | 40 x 4 | 1,685 |
| L | 80 x | 15 x 2 | 0,502 | L | 120 x | 50 x 5 | 2,228 |
| L | 80 x | 20 x 2 | 0,529 | L | 120 x | 60 x 2 | 0,961 |
| L | 80 x | 25 x 2 | 0,556 | L | 120 x | 60 x 6 | 2,819 |
| L | 80 x | 25 x 2,5 | 0,692 | L | 120 x | 60 x 8 | 3,715 |
| L | 80 x | 30 x 2 | 0,583 | L | 120 x | 80 x 3 | 1,596 |
| L | 80 x | 30 x 3 | 0,867 | L | 120 x | 80 x 8 | 4,147 |
| L | 80 x | 40 x 2 | 0,637 | L | 120 x | 80 x 10 | 5,130 |
| L | 80 x | 40 x 3 | 0,948 | L | 120 x | 100 x 4 | 2,333 |
| L | 80 x | 40 x 4 | 1,253 | L | 130 x | 30 x 3 | 1,272 |
| L | 80 x | 40 x 5 | 1,553 | L | 130 x | 80 x 6 | 3,305 |
| L | 80 x | 40 x 6 | 1,847 | L | 140 x | 40 x 3 | 1,434 |
| L | 80 x | 50 x 3 | 1,029 | L | 140 x | 40 x 4 | 1,901 |
| L | 80 x | 50 x 4 | 1,361 | L | 140 x | 40 x 6 | 2,819 |
| L | 80 x | 50 x 5 | 1,688 | L | 150 x | 50 x 4 | 2,117 |
| L | 80 x | 50 x 6 | 2,009 | L | 150 x | 50 x 5 | 2,633 |
| L | 80 x | 60 x 4 | 1,469 | L | 150 x | 75 x 8 | 4,687 |
| L | 80 x | 60 x 6 | 2,171 | L | 150 x | 75 x 10 | 5,805 |
| L | 90 x | 60 x 6 | 2,333 | L | 150 x | 100 x 5 | 3,308 |
| L | 100 x | 20 x 2 | 0,637 | L | 150 x | 100 x 10 | 6,480 |
| L | 100 x | 25 x 2 | 0,664 | L | 160 x | 40 x 4 | 2,117 |
| L | 100 x | 30 x 2 | 0,691 | L | 160 x | 60 x 8 | 4,579 |
| L | 100 x | 30 x 3 | 1,029 | L | 180 x | 80 x 10 | 6,750 |
| L | 100 x | 40 x 2 | 0,745 | L | 180 x | 150 x 6 | 5,249 |
| L | 100 x | 40 x 3 | 1,110 | L | 200 x | 100 x 10 | 7,830 |
| L | 100 x | 40 x 4 | 1,469 | L | 300 x | 60 x 6 | 5,735 |
| L | 100 x | 50 x 2 | 0,799 | L | 300 x | 60 x 6 (12 m) | 5,735 |

Aleación: EN AW-6060 T66 (AlMgSi 0,5 F22)

Longitud: 6000 mm